

DentaKLEEN™

WATERLINE CLEANING SYSTEM FOR DENTAL UNITS ON CITY WATER

MFR #: MAK-1900

ANODIA
SYSTEMS

INSTALLATION INSTRUCTIONS

STEP 1: PREPARE FOR INSTALLATION

- Turn dental unit **OFF** and shut off water and air at junction center.

STEP 2: MOUNTING DentaKLEEN™ SYSTEM

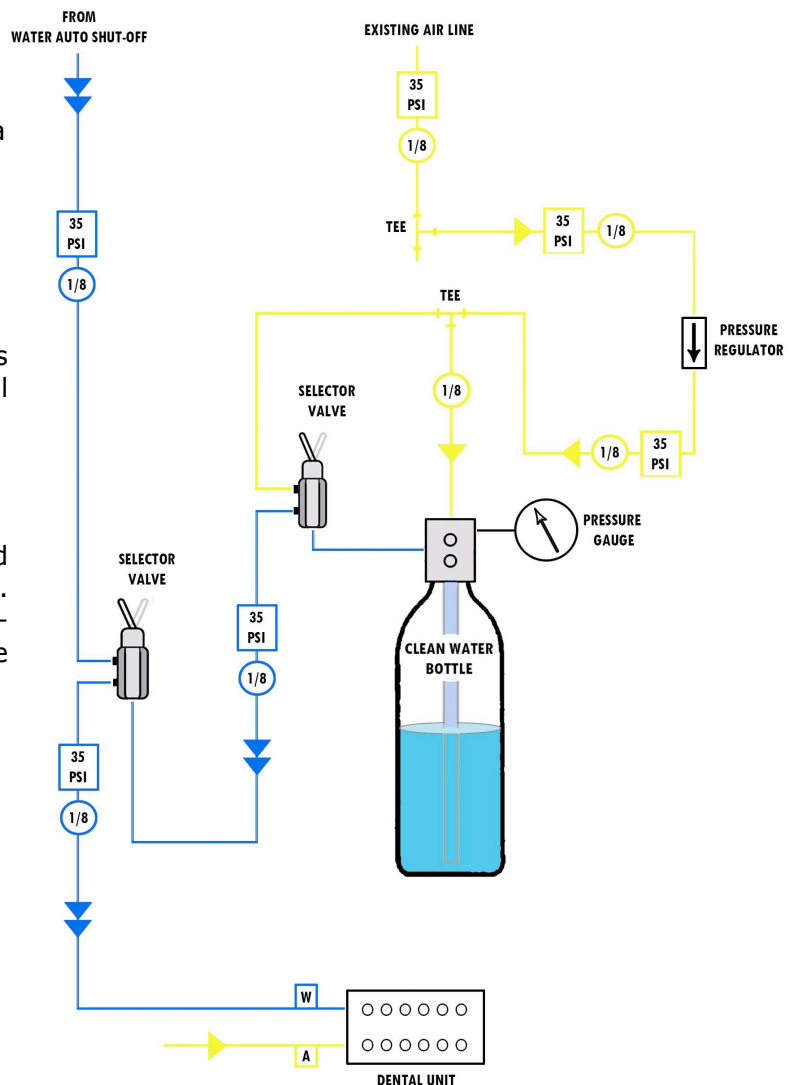
- Identify a suitable location to mount on a vertical 2" post or a vertical flat surface.
- DentaKLEEN™ SYSTEM should be mounted in a suitable location so the dentist or dental staff has easy access.
- The location should be as close as possible to the dental unit's internal tubing of air and water supply.

STEP 3: MAKING THE CONNECTIONS

- Locate a 1/8" air line (yellow) connected to the dental unit's ON/OFF switch. Make sure the ON/OFF switch is a three-way switch. Cut this line and "T" to line to the DentaKLEEN™ SYSTEM air line.
- Locate a 1/4" waterline (blue); cut this line and "T" the DentaKLEEN™ SYSTEM to this line.

STEP 4: OPERATION CHECK

- Turn water and air **ON** at junction center.
- Turn dental unit **ON** and check for air and water leaks.



DentaKLEEN™ SYSTEM Installation Instructions Continued...

IMPORTANT NOTICE REGARDING WATER HEATERS

If a tank type water heater is in use, please consider the following important information. Most water heaters of this style cannot be run dry when turned on. They must be shut off prior to being drained during air purging. Also after the use of any liquid water cleaner, the unit must be air purged first to remove the solution from the water heater and then flushed with water for 30 seconds. Remember water heaters must be turned ON after the dental unit waterlines are cleaned.

FAILURE TO TURN TANK TYPE WATER HEATERS OFF DURING THE PROCESS OF CLEANING THE WATERLINES COULD CAUSE THE WATER TANK ELEMENT TO FAIL

Water heaters must be cleaned as they increase the amount of bacteria in the waterlines.