

## MAK-1800 CLOSED WATER BOTTLE SYSTEM With Air Purge

### INSTALLATION INSTRUCTIONS

#### STEP 1 | MOUNTING THE MAK-1800

- Identify a suitable location to mount on a vertical 2" post or a vertical flat surface.
- MAK-1800 should be mounted in a suitable location so the dentist or dental staff has easy access.
- The location should be as close as possible to the dental unit's internal tubing of air and water.

#### STEP 2 | TUBING CONNECTIONS

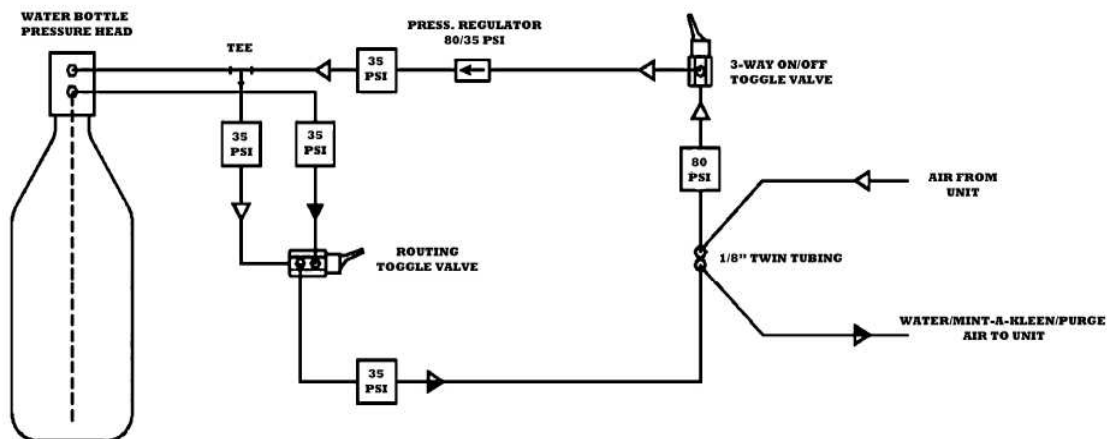
- Turn dental unit OFF.
- Locate a 1/8" air line (yellow) connected to the dental unit's ON/OFF switch. Cut this line and "T" to line to the MAK-1800 air line.
- Connect dental unit's waterline.

#### STEP 3 | INSTALLATION CHECK

- Turn dental unit ON and check for air leaks.

#### STEP 4 | OPERATION CHECK

- Turn bottle system OFF.
- Fill bottle with water.
- Turn bottle system ON and check for water flow and leaks.



#### IMPORTANT NOTICE REGARDING WATER HEATERS

If a tank type water heater is in use, please consider the following important information. Most water heaters of this style cannot be run dry when turned on. They must be shut off prior to being drained during air purging. Also after the use of any liquid water cleaner, the unit must be air purged first to remove the solution from the water heater and then flushed with water for 30 seconds. Remember water heaters must be turned ON after the dental unit waterlines are cleaned.

#### FAILURE TO TURN TANK TYPE WATER HEATERS OFF DURING THE PROCESS OF CLEANING THE WATERLINES COULD CAUSE THE WATER TANK ELEMENT TO FAIL

Water heaters must be cleaned as they increase the amount of bacteria in the waterlines.